



工作原理

交错安装有板锤块的转子在电机带动下做高速圆周运动，当物料进入破碎腔后，受高速旋转板块的冲击，物料高速射向反击篦板的撞击，以及高速喷射物料间、物料与反击篦板间的摩擦剪切而被粉碎，符合要求的物料由下料口与后背反击篦板孔排出，大块物料在破碎区内继续破碎，可以通过调整板锤块与反击篦板间隙来调整出料粒度。

Principle of operation

Crisscross installation plate hammer piece in the rotor motor driven by high speed circular motion do, when the material into the crushing chamber, due to the impact of the high speed rotating plate, material into high speed back deck plate collision, and high-speed shot out between material, material and counterattack deck plate the friction between the shear and shatter, to meet the requirements of the material is the material mouth and counter back deck plate hole education, large materials in the broken continue to broke, can adjust plate hammer blocks and counterattack deck plate gap to adjust the grain-size.

PSX 系列细碎制砂机 PSX SERIES SAND MAKING MACHINE

产品简介

PSX系列高效制砂机是金山在引进、吸收国外先进技术基础上进一步吸取立式冲击破的优、缺点并加以改进，同时又综合了锤式、反击式破碎机的长处而综合开发研制成功的最新一代高效制砂机，它的出现为中国人工制砂领域开辟了一个新纪元。

Brief introduction

PSX high-efficiency sand making machine is developed by Jinbaoshan Company through introducing the technology of foreign company, analyzing the advantages and disadvantages of vertical crusher, integrating the advantages of hammer and impact crusher. It opens a new era for china manual sand making field.



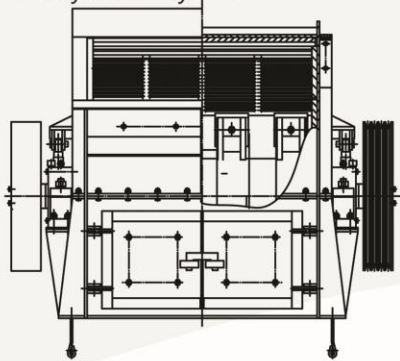
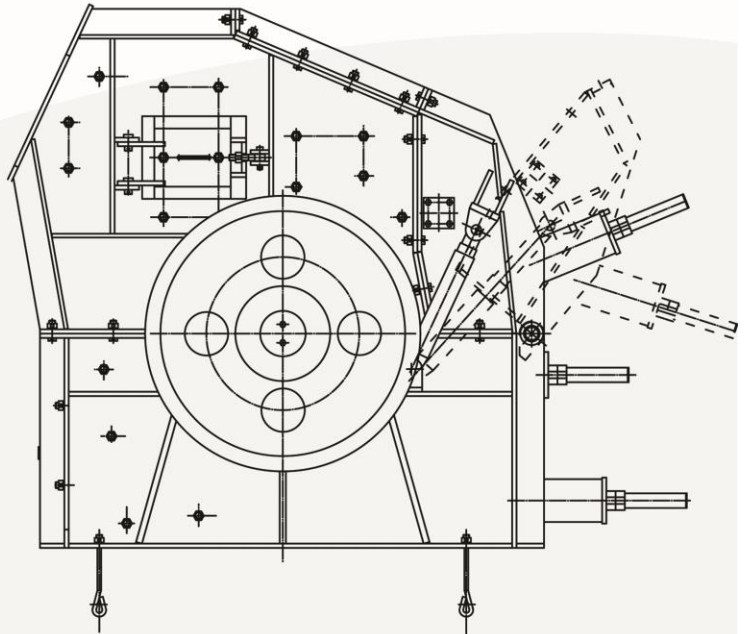


性能特点

- 1、产量高、破碎比大、产品粒度细。
- 2、配套功率小、耗电低。
- 3、结构简单、维修方便、运行可靠、运行费用低。
- 4、破碎腔开启方便，易于更换易损件，大型机采用液压油缸。

Performance features

1. Large output, large crushing ratio, little granularity;
2. Low power and low power consumption;
3. Simple structure, easy maintains, reliable operation and low expense of operation;
4. The crushing chamber is easy to open, so the wearing parts can be changed easily. Besides, the large machine adopts the hydraulic cylinder.



规格与性能参数表 Specifications:

型号 Model	最大进料粒度 Max Feeding(mm)	出料粒度 Output Size (mm)	产量 Capacity(t/h)	配用电机功率 Motor Power (Kw)	外形尺寸 (长×宽×高) Overall Dimension (L×W×H) (mm)	进料口尺寸 size of feeder opening (mm)
PSX1011	70	0-15≤5mm (70%)	20-60	110	2150×1890×1775	400×1020
PSX1311	70	0-15≤5mm (70%)	40-100	160	2150×2090×1775	400×1320
PSX1313	100	0-15≤5mm (70%)	60-150	200	2830×2350×2470	500×1320
PSX1613	100	0-15≤5mm (70%)	80-180	250	2830×2650×2470	500×1620

注：各项参数及外形若有变更，依发货时随机附带的使用维护说明书为准。
Note:if there is any modification, all parameter and overall dimension are subject to the operating Instructions.

